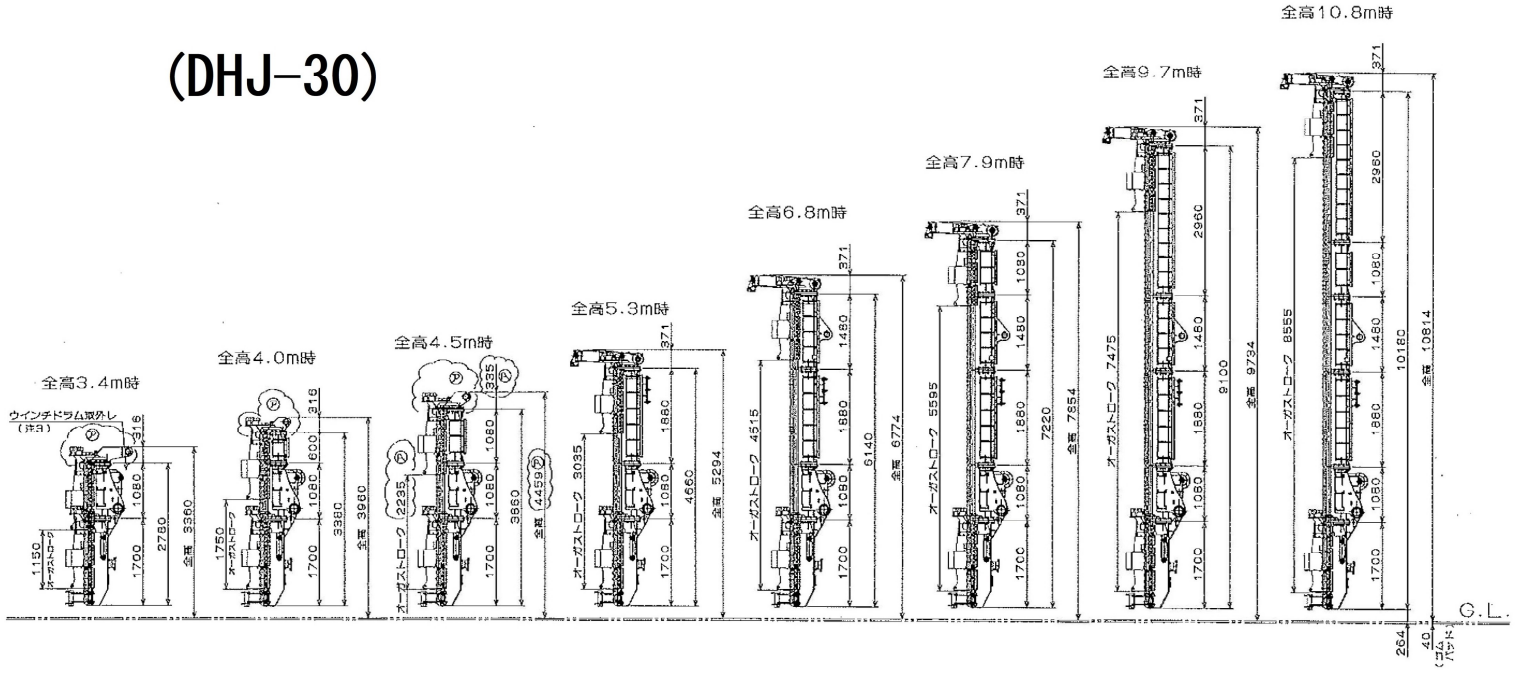


短尺構成図

(DHJ-30)



(DHJ-15)

